

PULSAFEEDER[®]
An IDEX Water & Wastewater Business **IDEX**

PERIFLO

PERISTALTIC
HOSE PUMPS

AMP

Series



PERIFLO

Features

Sealless

Abrasion Resistant

Economical

Easy Maintenance

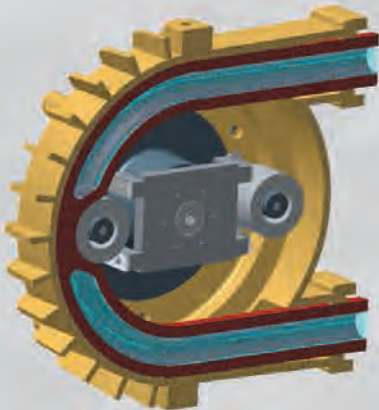
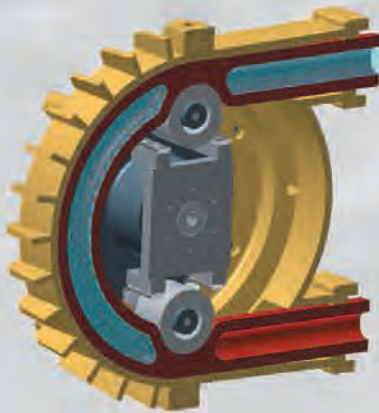
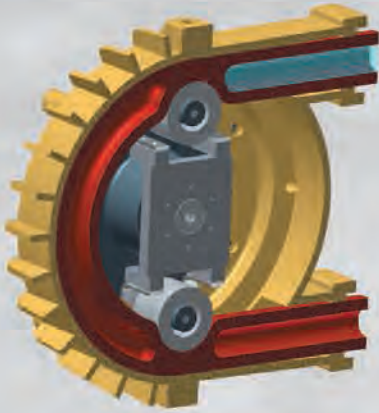
Dry-Run without Damage

Self Priming to 27 ft.

Metering Accuracy +/- 1%

Reversible Rotation

Sanitary FDA & 3-A Designs



| | AMP-10 | AMP-13 | AMP-16 | AMP-19 | AMP-22 |
|----------------------------------|--|--------------|-------------------|-------------------|--|
| CAPACITY | .006 gal/rev | .010 gal/rev | .025 gal/rev | .032 gal/rev | .066 gal/rev |
| MAX FLOW RATE | 50 GPH | 84 GPH | 210 GPH | 270 GPH | 390 GPH |
| CONNECTIONS | 3/8" | 3/8" | 3/4" | 1" | 1" |
| COMPRESSOR SYSTEM | ROLLERS | | | | |
| REINFORCED HOSES to 115 PSI | NATURAL RUBBER* BUNA N* EPDM NATURAL RUBBER (FOOD GRADE) BUNA (FOOD GRADE) | | | N/A | NATURAL RUBBER BUNA N EPDM NATURAL RUBBER (FOOD GRADE) BUNA (FOOD GRADE) |
| THERMOPLASTIC TUBES to 30 PSI | NORPRENE | NORPRENE | NORPRENE TYGON | NORPRENE TYGON | NORPRENE TYGON |

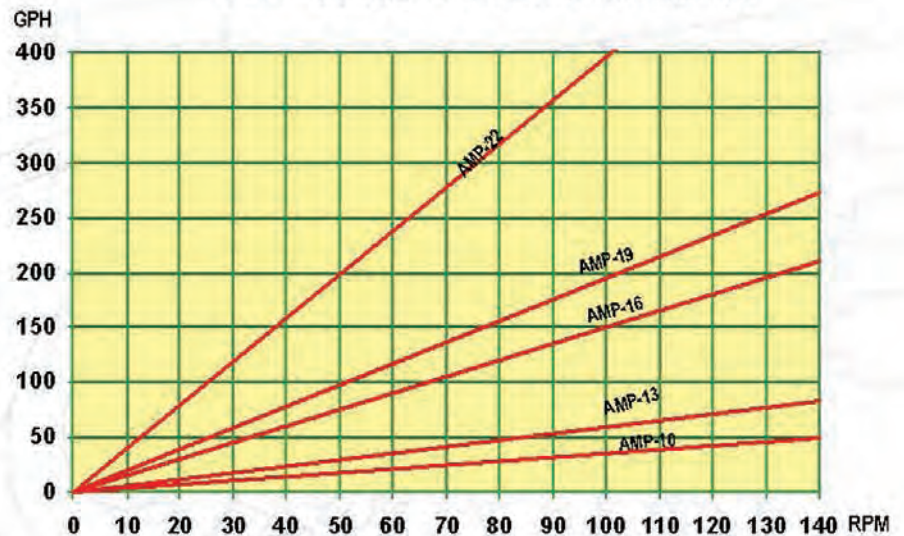
NORPRENE meets FDA, 3-A & NSF Criteria

PHARMED meets USP Class VI, FDA & NSF Criteria

** Food Grades Available*

AMP Series

AMP Series - Performance Curves



Drives & Accessories:



- ⊗ Electric, Pneumatic or Hydraulic Motors
- ⊗ Variable Speed Controls
- ⊗ Hose Leakage Detectors
- ⊗ Pulsation Dampeners
- ⊗ MNPT (316SS, Polypro, PVDF) or Tri-Clamp Connections
- ⊗ Batching & Flow Controls

Applications: Transfer, Metering, Batching



Chemical

Polymers
Inks
Dyes
Coatings
Glues
Paints
Oils
Latex

Pigments
Detergents
Sludges
Slurries
Emulsions
Acids
Caustic
Lime Slurry

Food

Milk Products
Fruit Juices
Flavorings
Sauces
Jams
Wine
Vitamins
Feed Additives



2883 Brighton-Henrietta Townline Road
Rochester, NY 14623
Phone: +1 585-292-8000
Fax: +1 585-424-5619

An IDEX Water & Wastewater Business 

AMPB001 FEB 2011Rev